

INSTALLATION INSTRUCTIONS: **GASRESEARCH B2 CONVERTOR** **ELECTRIC PRIMER KIT**

Remove plug and install primer into primary port as shown in fig. 1.

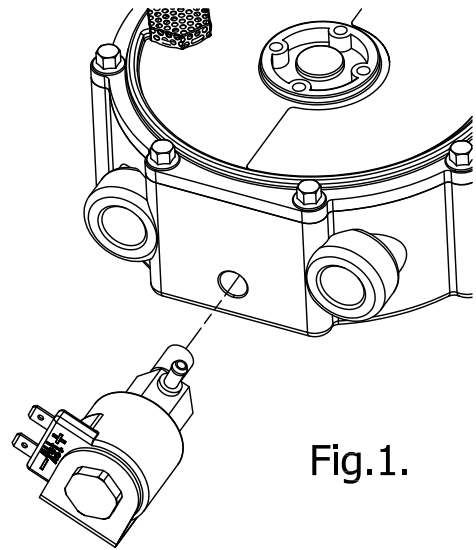


Fig.1.

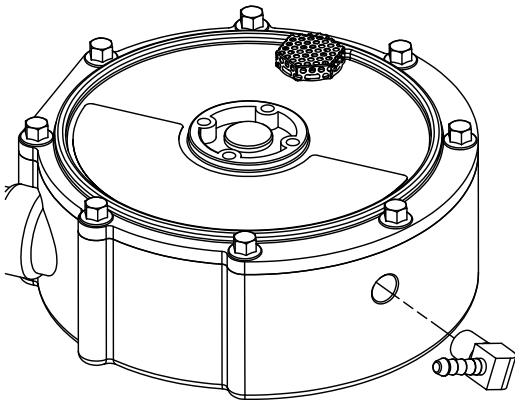


Fig.2.

Remove plug from secondary port and install elbow as shown in fig. 2.

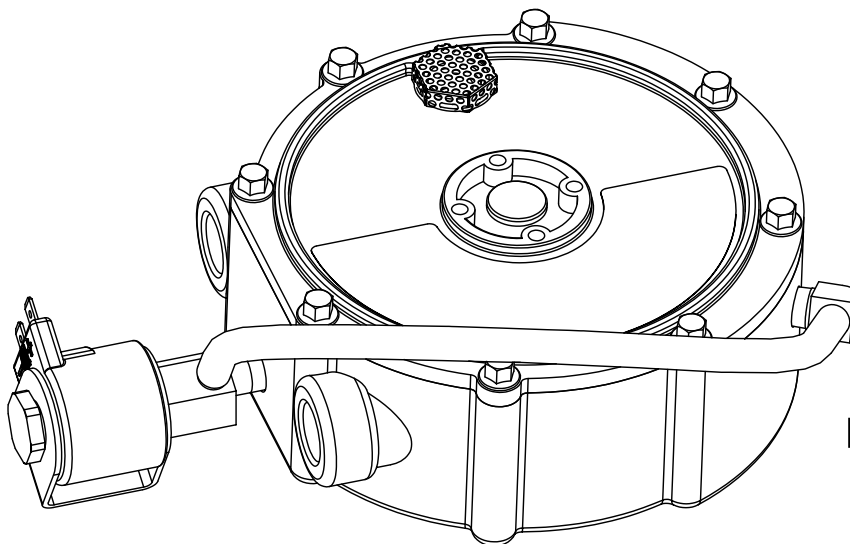


Fig.3.

Finally, push on fuel hose between primer valve and barb (fig. 3.)

Installation should only be carried out by a qualified gas installer.

GasResearch recommends the use of pipe sealant such as Loctite 569.

This setup is intended for use on naturally aspirated applications only, components may need to be upgraded for other applications.