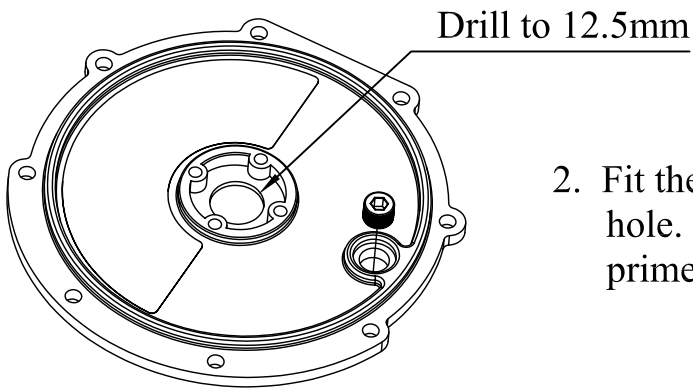
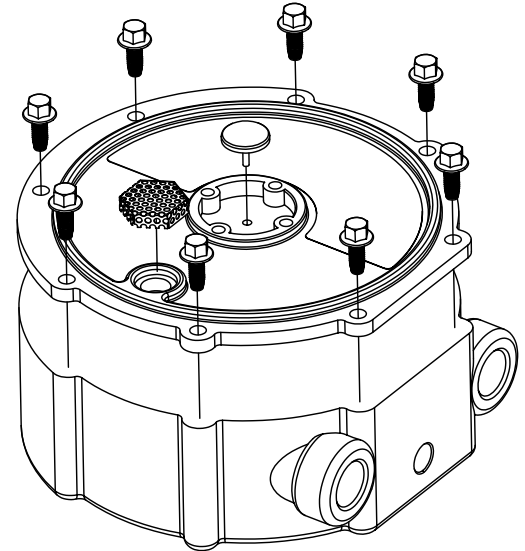


INSTALLATION INSTRUCTIONS: **B2 Converter Balance Line** **Installation**

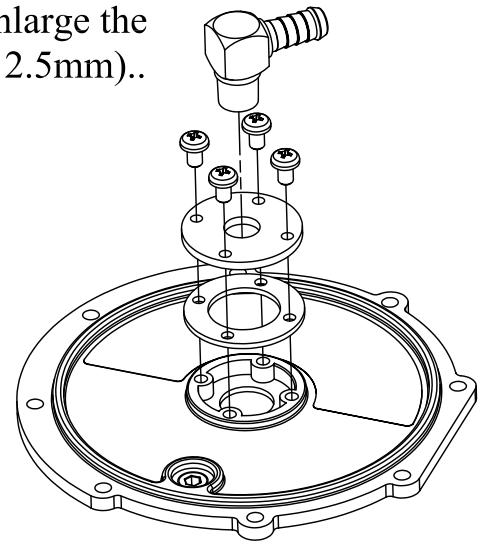
In order to reference the GasResearch B2 converter to inlet air pressure, it may be necessary to fit an external balance line. This is achieved using the GasResearch Converter Lid Balance Line kit.

Installation Instructions:

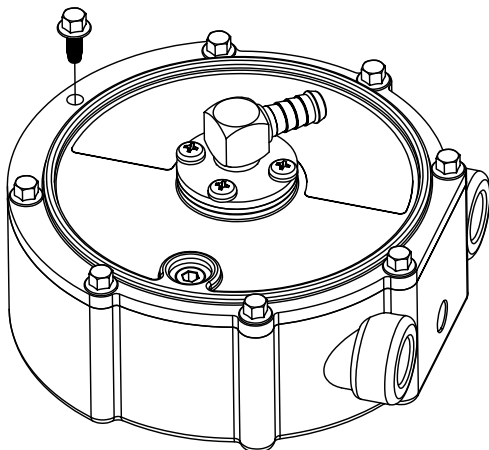
1. Remove the 8 retaining screws on the aluminium converter lid and remove the lid from the converter. Remove the mesh cover and the primer push button from the lid.



2. Fit the supplied plug to the breather hole. Use a drill to enlarge the primer hole to 0.5" (12.5mm)..



3. Using the 4 screws supplied, fit the adaptor plate to the centre of the lid, so that the gasket is sandwiched between the two surfaces. Screw the supplied elbow barb into the adaptor plate.



4. Refit the converter lid to the converter, observing orientation and ensuring the diaphragm is fitted correctly and sealed. Do not overtighten screws!!!

Connect your balance hose to the barb using a worm drive clamp or equivalent.

NOTE: This kit is intended for use with genuine GasResearch converters fitted with GasResearch aluminium lids.